

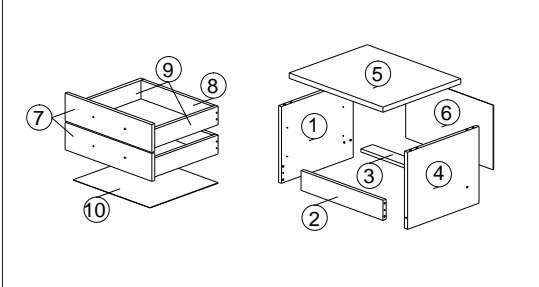
ASSEMBLY INSTRUCTION

MODEL : HM 315

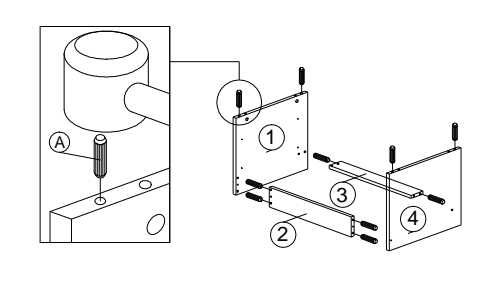
DESCRIPTION : NIGHT STAND

HARDWARE	A WOOD DOWEL 8 X 25 1X10	B CB SCREW M3.5X16MM 1X24	C CB SCREW M4X38MM 1X16	D CSK CAP M6X50MM 1X4	E NAIL 5/8 1X25	F L KEY 1X1	G QUICKFIT CAP 1X8	H MINIFIX 5654+5546 4 SETS	I HANDLE AW 75-782A 160MM (METAL) 1X2	I2 HANDLE SCREW M4X35MM 1X4	J DRAWER SLIDE 14" 2 SETS

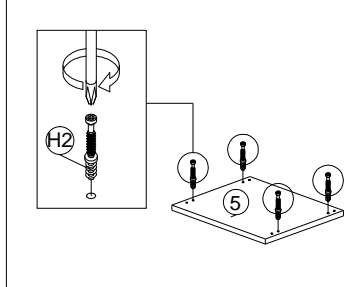
PART LIST



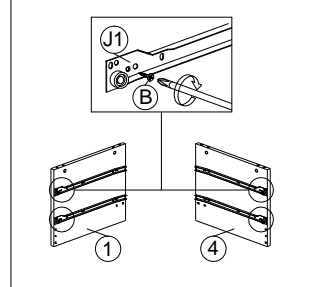
STEP 1



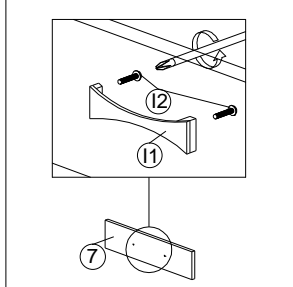
STEP 2



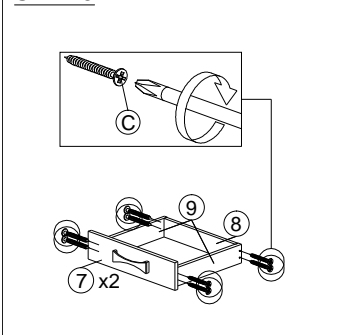
STEP 3



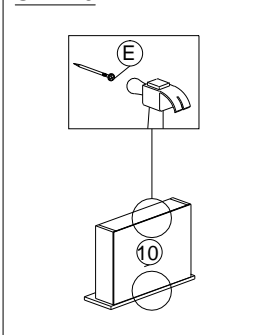
STEP 4



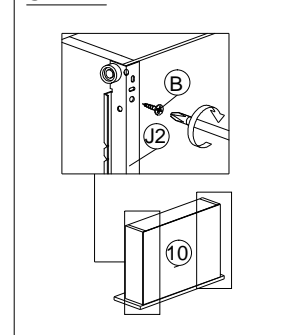
STEP 5



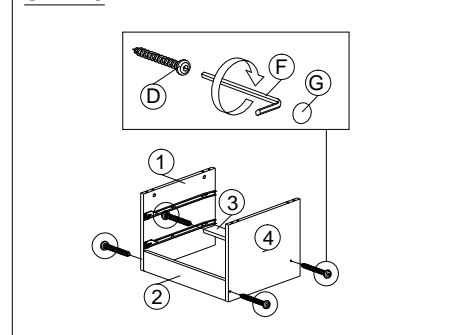
STEP 6



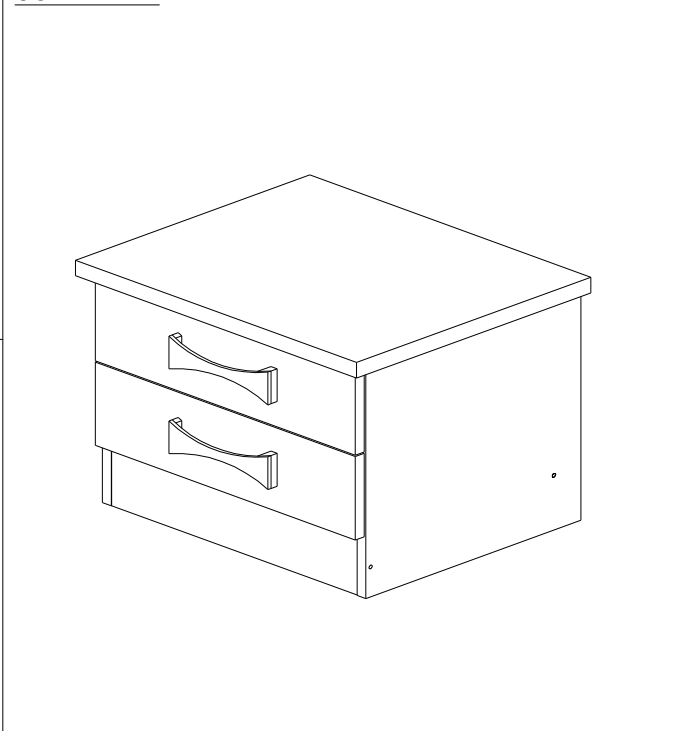
STEP 7



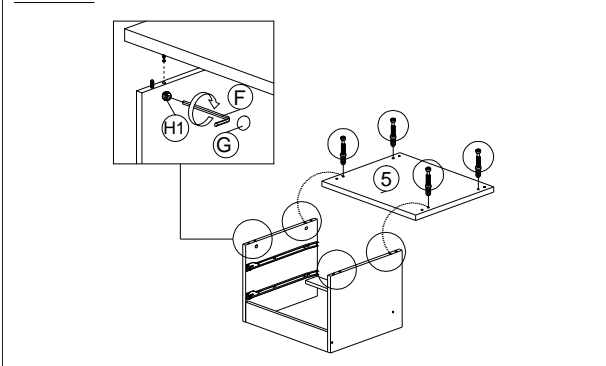
STEP 8



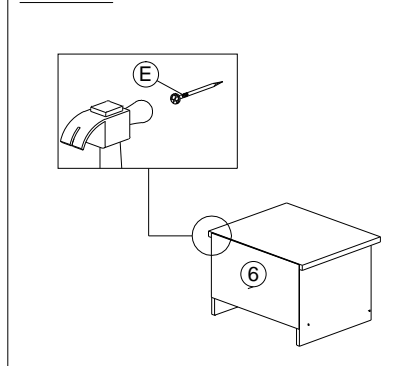
COMPLETED



STEP 9



STEP 10



STEP 11

