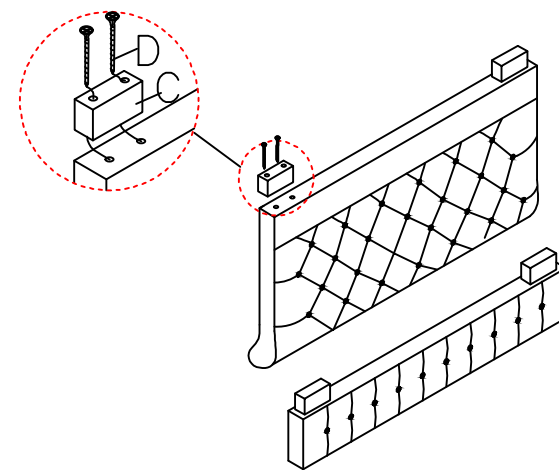
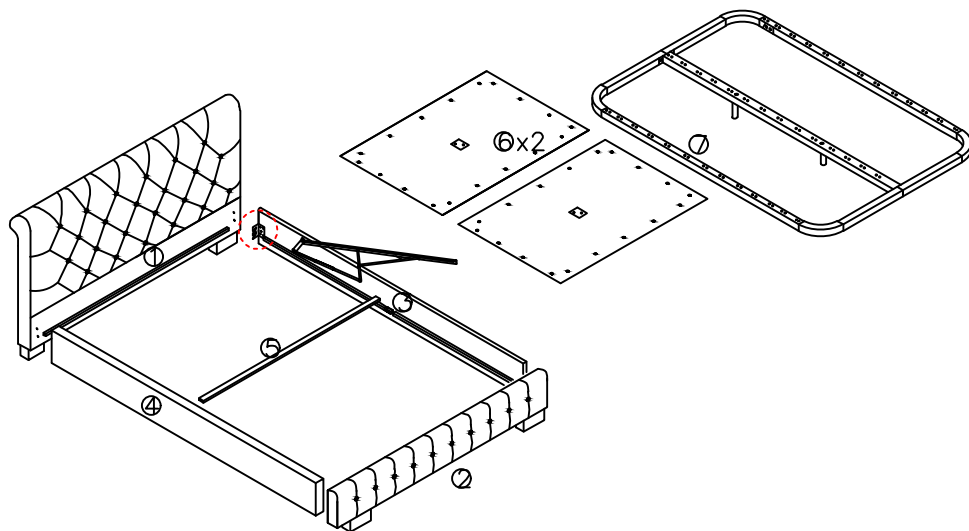
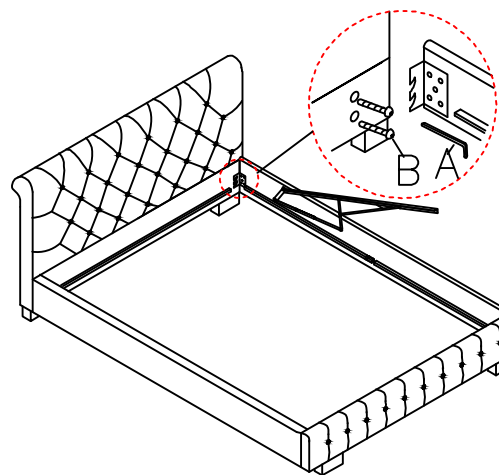


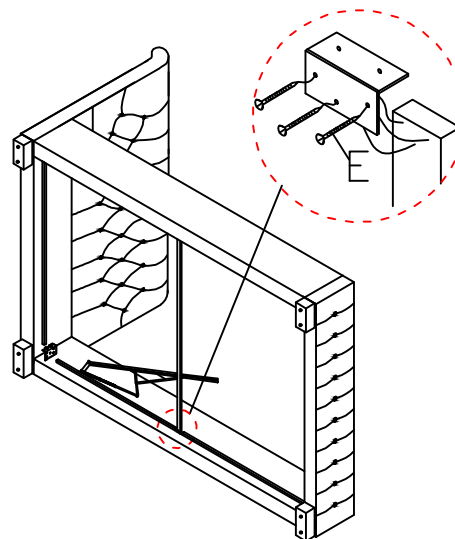
ASSEMBLY INSTRUCTION



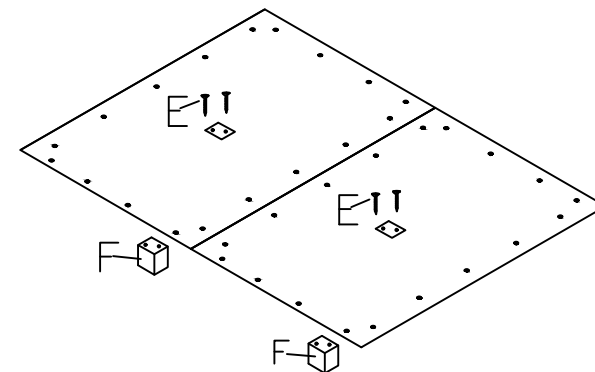
Step 1



Step 2

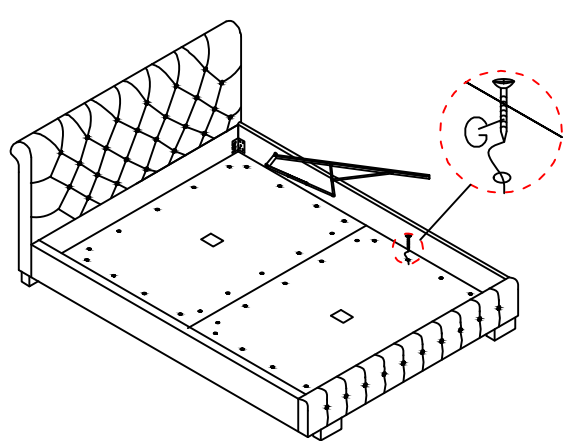


Step 3

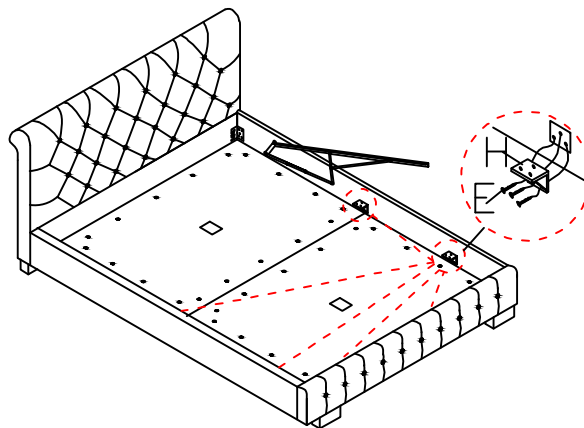


Step 4

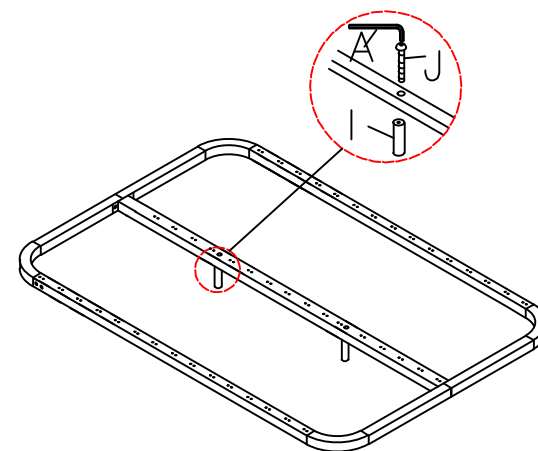
ASSEMBLY INSTRUCTION



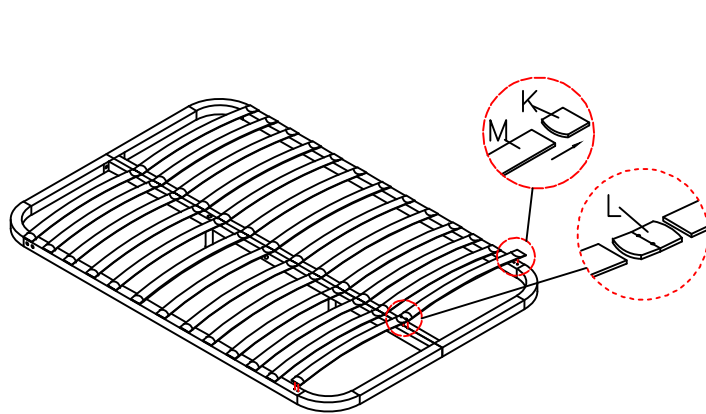
Step 5



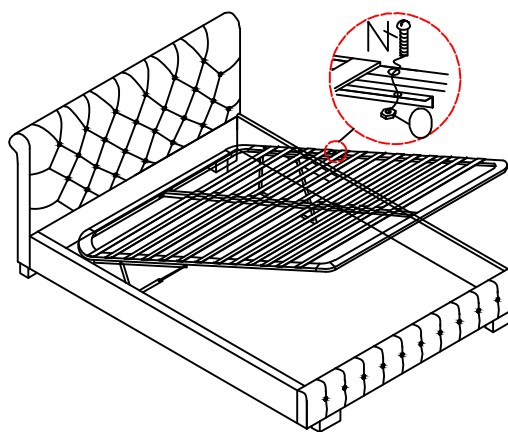
Step 6



Step 7



Step 8



Step 9

Ax1	M8x25mm Bx8	Cx4
M4x50mm Dx8	M4x25mm Ex28	Wood supporter Fx2
M3x20mm Gx36	Hx6	Ix2
M8x40mm Jx2	Kx24	Lx12
Mx24	M6x40mm Nx6	Ox6