

ASSEMBLY INSTRUCTION

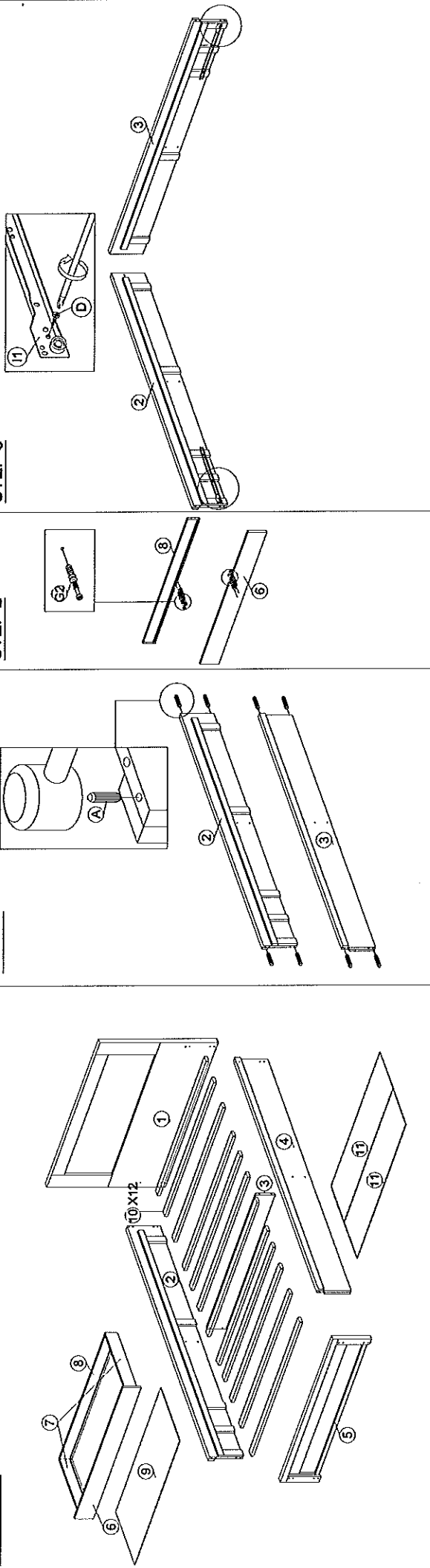
MODEL : HIM 323

DESC: QUEEN BED WITH 2 DRAWERS

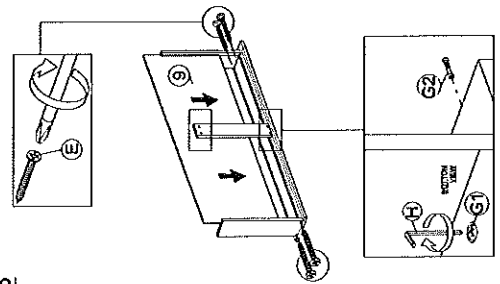
	SOFT DRY CLOTH	CHEMICAL	HEAT	KEEP DRY	HANDLE WITH CARE	DO NOT USE KNIFE

HARDWARE	
A	WOOD SCREW 6 X 25 8
B	CSK CAP WOOD SCREW 16 X 25 8
C	CSK CAP WOOD SCREW 16 X 25 4
D	CSK SCREW 16 X 25 12
E	CSB SCREW 16 X 25 16
F	CSK CAP 12
G	MINIFIX 504-5044 4 SETS
H	L KEY 1
I	DRAWER SLIDE 18" 2

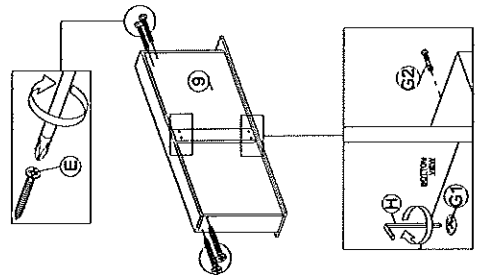
PART LIST



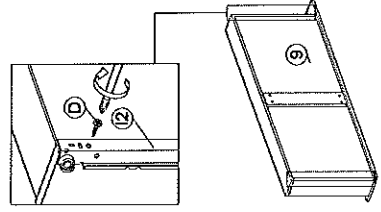
STEP 3



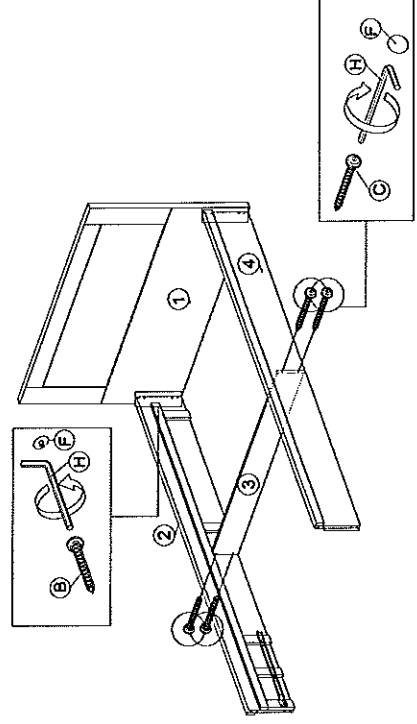
STEP 4



STEP 5



STEP 6



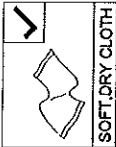
ASSEMBLY INSTRUCTION

MODEL : HM 323

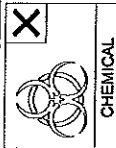
DESC: QUEEN BED WITH 2 DRAWERS



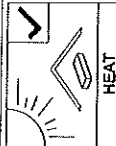
STEP 7



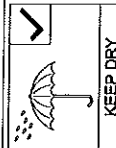
SOFT, DRY CLOTH



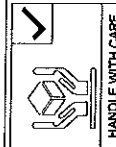
CHEMICAL



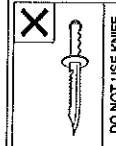
HEAT



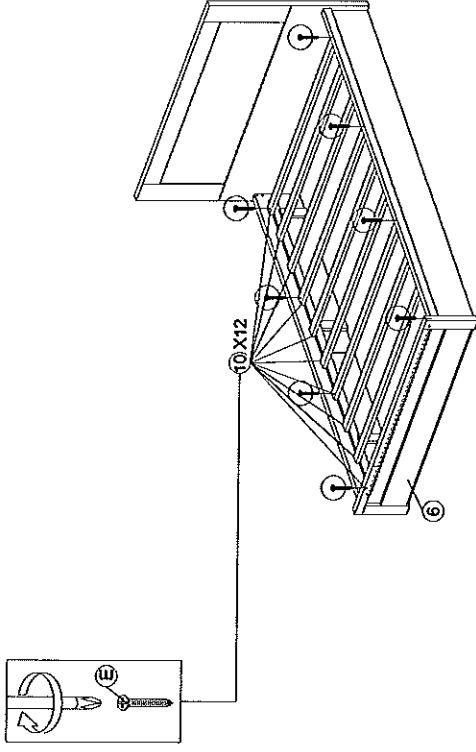
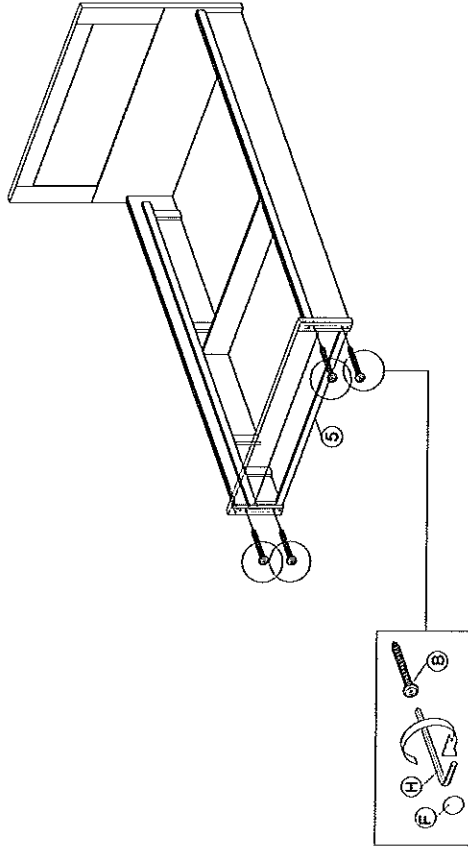
KEEP DRY



HANDLE WITH CARE



DO NOT USE KNIFE



STEP 8

STEP 9

COMPLETED

