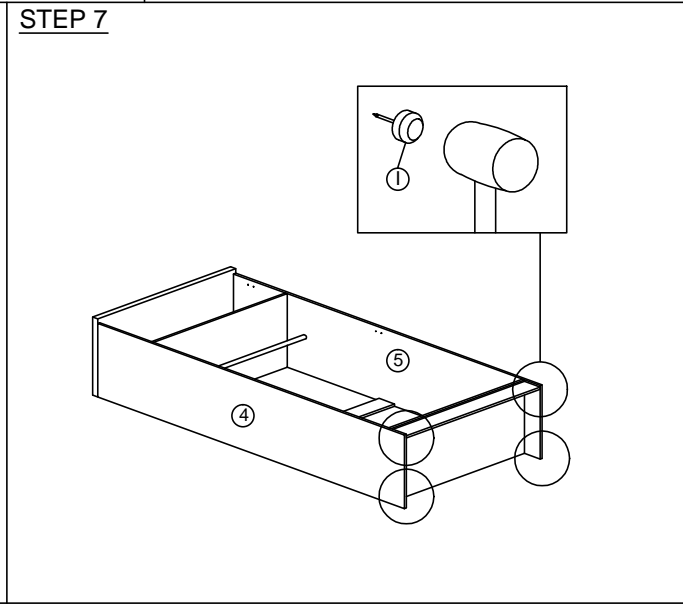
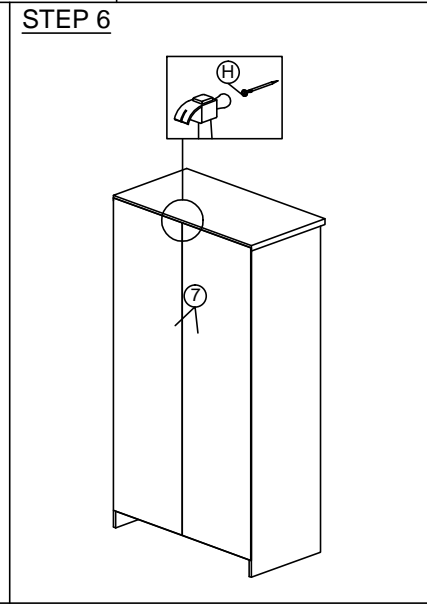
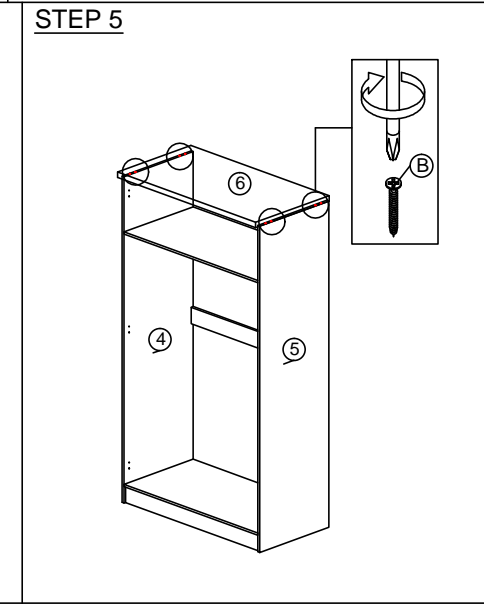
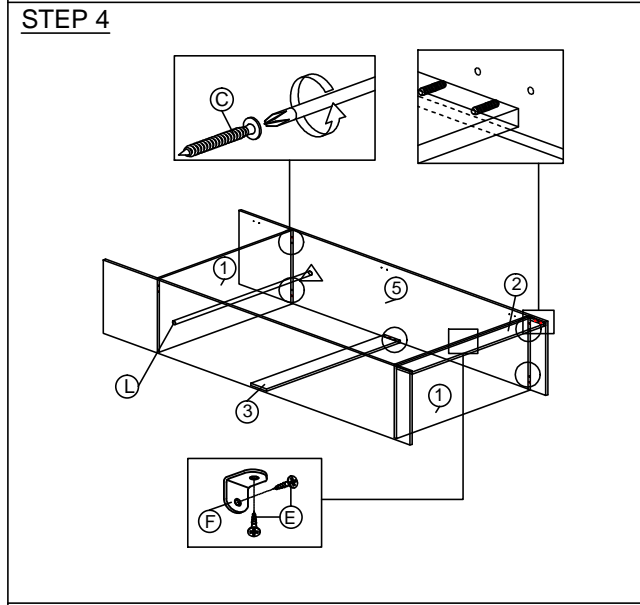
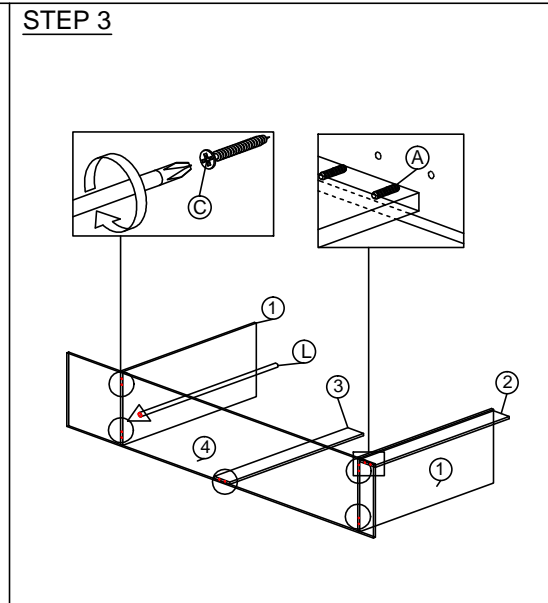
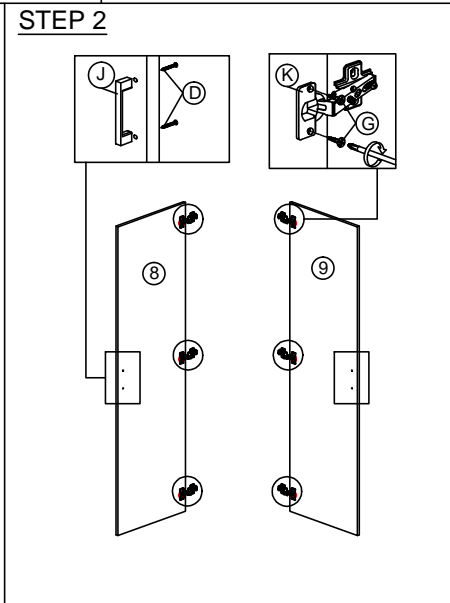
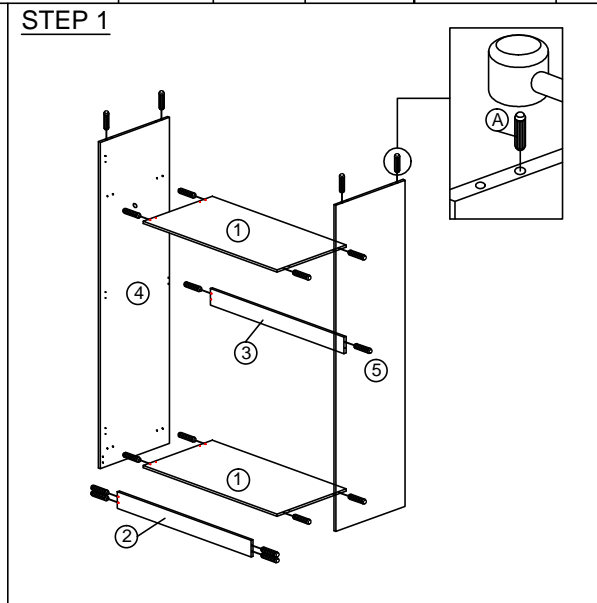
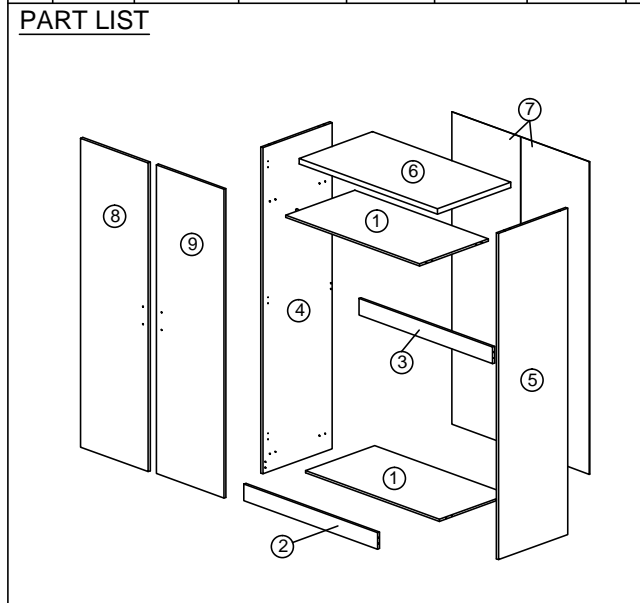


# ASSEMBLY INSTRUCTION

MODEL : HM 368.01

DESCRIPTION : 2 DOOR WARDROBE

HARDWARE	A	B	C	D	E	F	G	H	I	J	K	L
	WOOD DOWEL 8 X 25 1X18	CB SCREW M4X50MM 1X4	CB SCREW M4X38MM 1X10	CB SCREW M4X25MM 1X4	CB SCREW M3.5X12MM 1X2	L BRACKET M502 1X1	TAPPING SCREW M8X1/2MM 1X24	NAIL 5/8 1X30	PVC NAIL WITH PIN 1/2 1X4	HANDLE 108 -96MM 1X2	HINGES 2/8 1X6	18MM CHROME PIPE 1X1

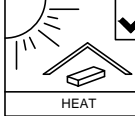




SOFT, DRY CLOTH



CHEMICAL



HEAT



KEEP DRY



HANDLE WITH CARE



DO NOT USE KNIFE

# ASSEMBLY INSTRUCTION

MODEL : HM 368.01

DESCRIPTION : 2 DOOR WARDROBE

## STEP 8

## COMPLETED

