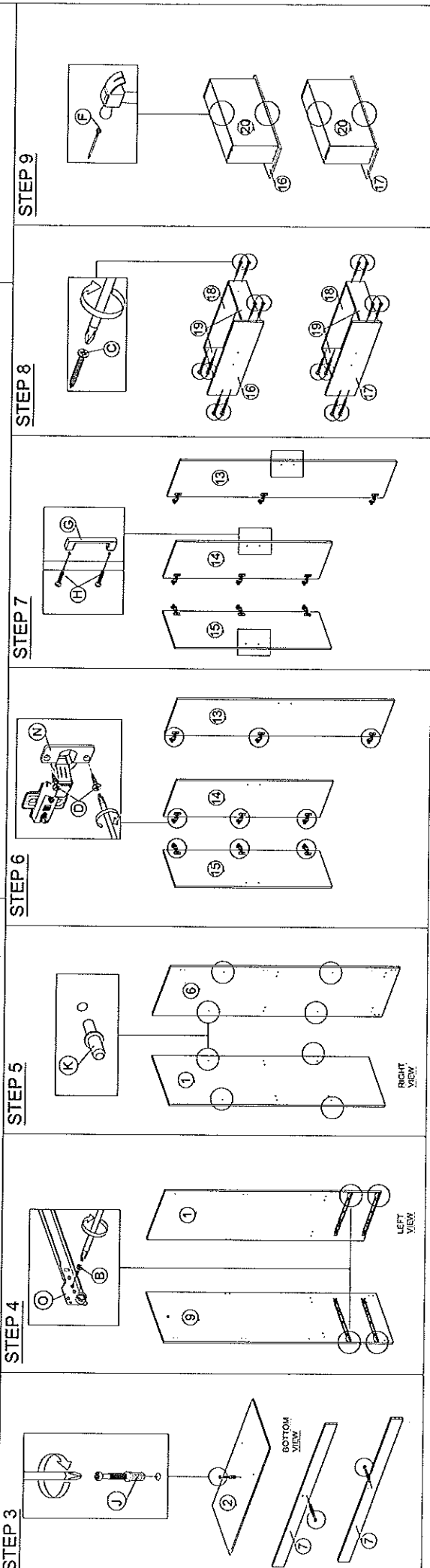
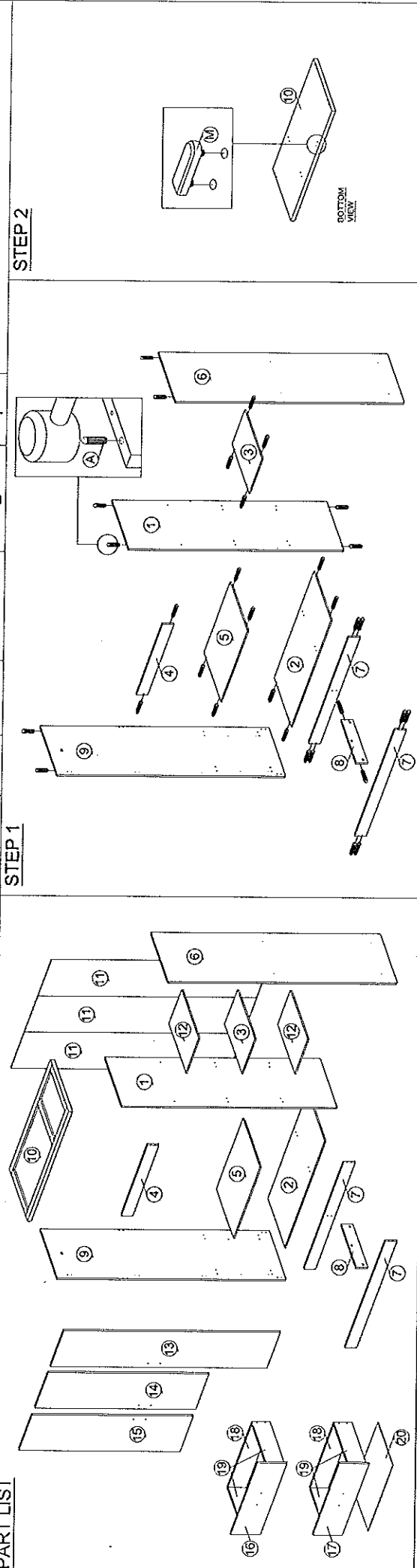


ASSEMBLY INSTRUCTION

MODEL : HM 340.03 DESCRIPTION : 3 DOORS WARDROBE

| | | | | | | | |
|-----------------|----------|------|----------|------------------|------------------|--|--|
| | | | | | | | |
| SOFT, DRY CLOTH | CHEMICAL | HEAT | KEEP DRY | HANDLE WITH CARE | DO NOT USE KNIFE | | |

| HARDWARE | | PART LIST | |
|----------|--------------------------|-----------|--|
| A | WOOD DOVEL 6 X 30 | 32 | |
| B | CB SCREW M4X10X1MM | 24 | |
| C | CB SCREW M4X30MM | 36 | |
| D | TAPPING SCREW M4X20MM | 36 | |
| E | CB SCREW M4X30MM | 6 | |
| F | NAIL 5R | 56 | |
| G | HANDLE 100 -8MM (PVC) | 5 | |
| H | CB SCREW M2X25MM | 6 | |
| I | MINIFIX (HOUSING) | 3 | |
| J | MINIFIX (EURO 24) | 3 | |
| K | METAL SHELF SUPPORT | 8 | |
| L | PVC NAIL WITH PIN 5/8 | 8 | |
| M | 2 PIN STOPPER | 1 | |
| N | HINGES 2B | 9 | |
| O | DRAWER SLIDE 14" (GLUCR) | 2 | |
| P | DRAWER SLIDE 14" (GLUCR) | 2 | |
| Q | 10MM CHROME PIPE | 1 | |



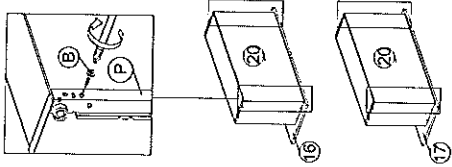
ASSEMBLY INSTRUCTION

MODEL : HM 340.03

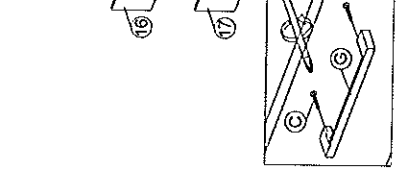
DESCRIPTION : 3 DOORS WARDROBE

| | | | | | | |
|------------------|----------|------|----------|------------------|------------------|--|
| | | | | | | |
| SOFT, DRY CLOTH. | CHEMICAL | HEAT | KEEP DRY | HANDLE WITH CARE | DO NOT USE KNIFE | |

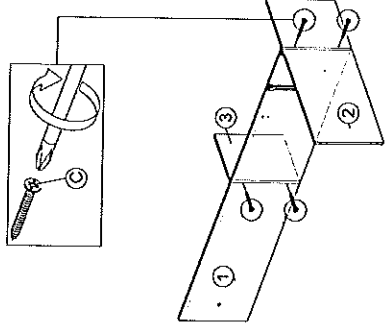
STEP 10



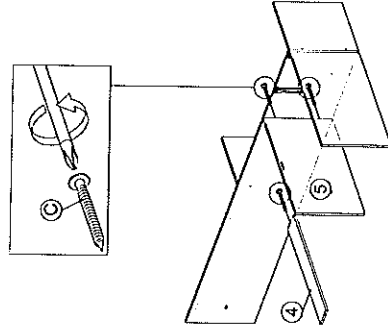
STEP 11



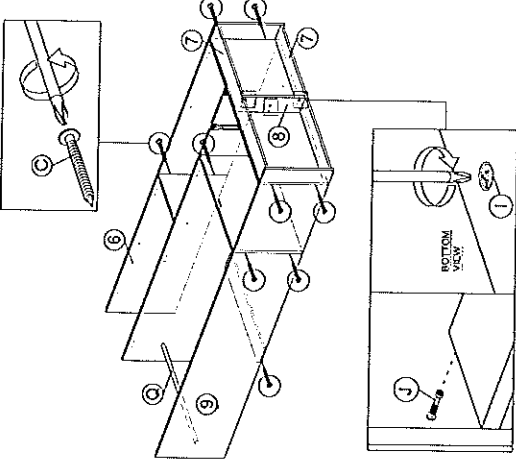
STEP 12



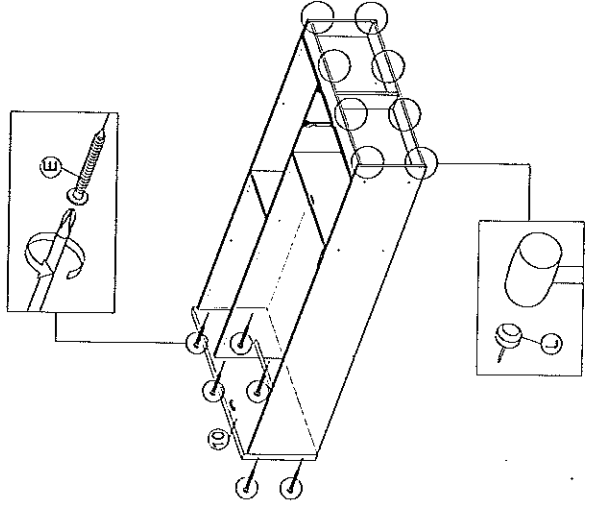
STEP 13



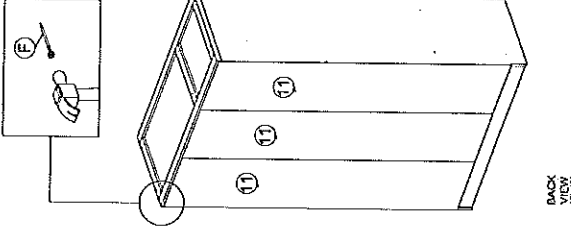
STEP 14



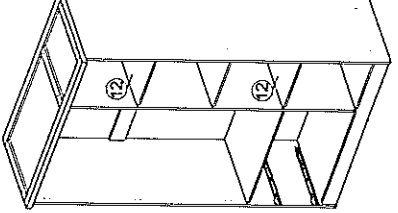
STEP 15



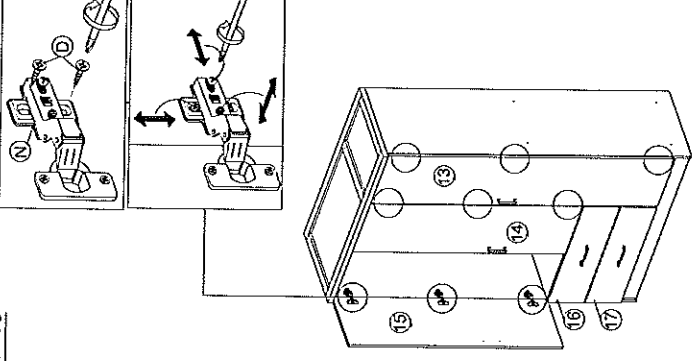
STEP 16



STEP 17



STEP 18



COMPLETED

